

K-SERIES
CRAWLER DOZERS



JOHN DEERE

700K / 750K / 850K



**PUSH, GRADE,
PRODUCE**



RELIABLE

+



PRODUCTIVE



GO BEYOND THE LIMITS OF
OTHER DOZERS.



750K
LGP





IT'S GOT YOUR FINGERPRINTS ALL OVER IT.

Equipment owners and operators like you had a hand in perfecting our K-Series Dozers. Armed with real-world experience, participants in our Customer Advocate Group (CAG) offered their expertise. We listened and responded with numerous enhancements including diesel engines for generous displacement, power, and lugging ability. Standard Eco mode for improved fuel efficiency with no loss of productivity. Spacious cabs that are noticeably quieter and more comfortable. And features that simplify serviceability such as a ground-level air cleaner and an easy-to-clean V-cool package. Add the operating ease and maneuverability for which our dozers are known, and the K-Series is an obvious choice.

PROVEN FEATURES

DO MORE FOR YOUR BOTTOM LINE.

Packed full of production-boosting and fluid-efficiency advantages, our K-Series Dozers do more without a lot of extra effort. State-of-the-art electronic controls put an operator in complete command of an arsenal of production-boosting hydrostatic advantages, including power turns, counter-rotating tracks, power management, and infinitely variable travel speeds. Features like standard Eco mode will help save fuel without loss of productivity, adding more money to your bottom line.

Move forward

These dozers steer the same and maintain their preset speed whether working on level ground or a 2-to-1 slope. So there's no need to cross-steer or ride a brake.

Counter-rotation

Counter-rotation enables an operator to overcome heavy corner loads and quickly reposition the blade on the go. Provides space-saving spot turns, too.

Power player

Simply set maximum desired ground speed, and the power-management system automatically maintains peak engine rpm and power efficiency without stalling or shifting.

Power boost

Independent track control speeds up or slows down each side — for smooth, full-power turns. Automatic 10-percent power boost on the 750K and 850K helps carry big blade loads through turns.

Eco mode

Standard Eco mode automatically adjusts engine power and transmission settings based on load while maintaining ground speed, to help optimize fuel economy with no loss of productivity. Auto-idle helps save fuel by reducing engine speed when the dozer is not moving.

Grade control

When you order your dozer grade-control ready, our "open-architecture" design makes adding a grade-control system as easy as plugging in the components, calibrating, and going to work, whether your preference be Trimble, Leica, or a factory-installed Topcon 3D-MC² system.

Match ground speed as needed

Infinitely variable range up to 6.8 mph flexibly matches ground speed to the load. Travel can also be varied to fit specific applications, terrain conditions, or operating preferences — or limited to maximize undercarriage life.



10%
**AUTOMATIC
POWER BOOST**
(750K AND 850K)



PROFIT FROM PERFORMANCE. *PRECISE GRADES, STRONG BLADES*

John Deere dozers enjoy solid reputations as superior grading machines. Unlike other machines that utilize a common mainframe for all models, our purpose-built design optimizes blade ratio and center of gravity for optimum balance. Durability is also second-to-none. Advantages such as noticeably larger push beams, closed-cell blades, box-section C-frames, and steel-cable-supported Cordura®-covered hydraulic hoses provide long-term stamina and strength.



UP TO
168 in.
BLADE WIDTH

Expansive views

Cab-forward design provides a commanding view behind, below, and beyond the blade. Side and rear visibility are virtually unobstructed.

Get in the flow

Generous hydraulic flow and precise metering ensure powerful and quick blade response, while providing the natural “feel” that enhances any operator’s grading ability.

EH-control option

Optional electrohydraulic (EH) controls for both power-angle-tilt (PAT) or outside dozer (OSD) blade configurations help move material smoothly and productively in a range of terrain conditions. They also simplify grade-control installation.

Blade pitch

Hydraulic power-pitch option for outside-mount straight or semi-U blades (750K and 850K only) allows blade pitch to be controlled from the cab, for improved ground penetration and load carrying. Using programmable return-to-pitch settings, activated at the touch of a button, the operator can preset blade-pitch positions. Four position settings on PAT dozers and infinite screw-type adjustment on outside-mount dozers allow you to easily fine-tune blade pitch to maximize productivity.

Grade like a pro

Greaseless shim-adjustable clamshell bearings in the front and rear joints of the push beams ensure a tight connection, for low-maintenance, “like-new” grading performance.

Have it down PAT

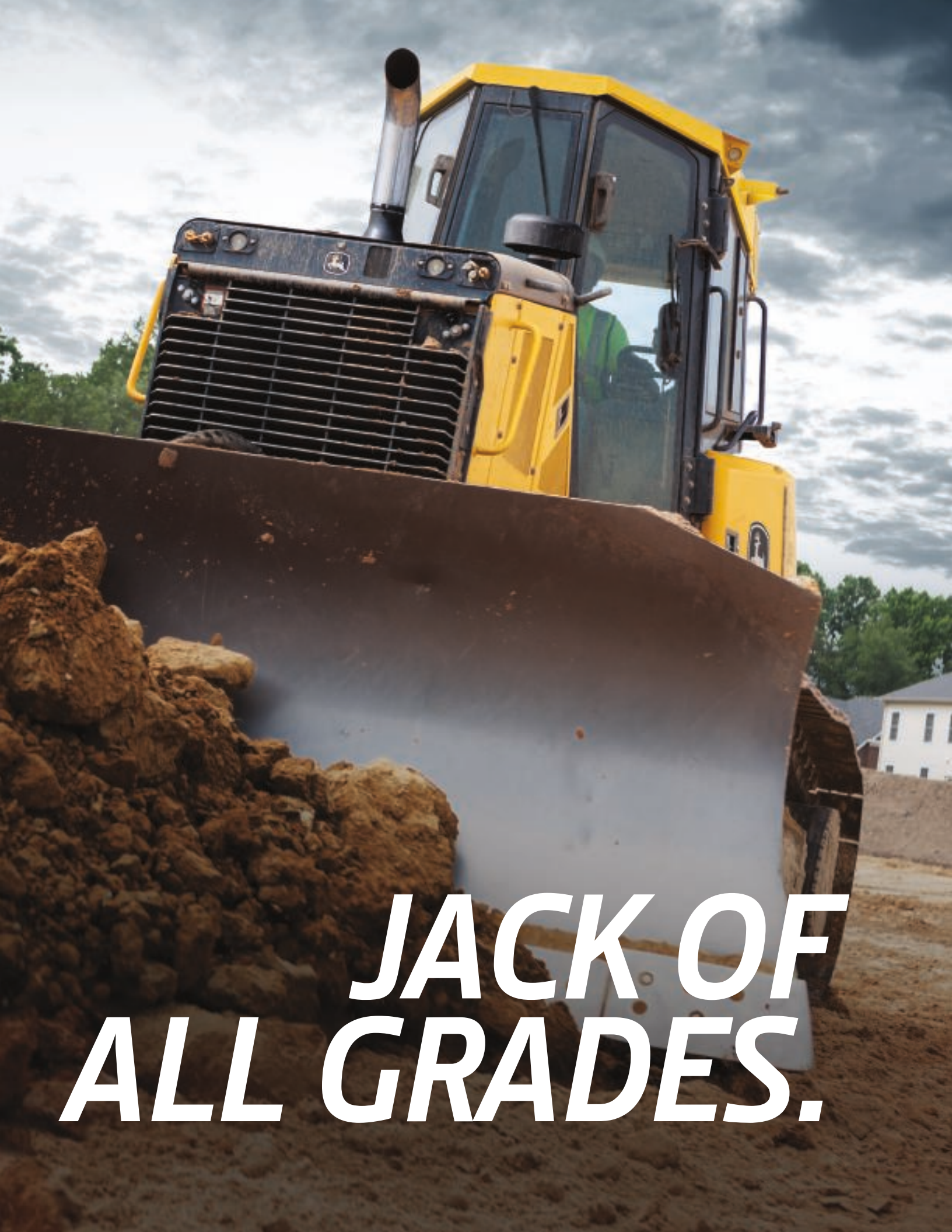
PAT blade’s heavy-duty ball-and-socket C-frame joint resists material buildup, for long-term grading precision. Blade Shake feature automatically vibrates dirt off PAT blades at the touch of a button.

Cross-member support

Heavy-duty cross-members provide solid lateral support and are shaped to allow a clear view of the bottom of the blade. Their raised position allows generous clearance at the end of the push.

OSD blade

With heavy-duty high-profile push beams and a three-position pitch-adjustable semi-U blade, outside-mount 750K and 850K Dozers deliver exceptional durability and high-production performance.



***JACK OF
ALL GRADES.***



COMFORT ZONE

GET MORE DONE INSIDE.

Of course you want your operators to be more productive. So why not put them in the seat of a K-Series Dozer's noticeably quiet and spacious cab? From ergonomically designed fully customizable controls to expansive visibility in all directions, these standard-setting dozers are loaded with productivity boosters to keep your operators comfortably productive — and on your payroll.



Have a seat

Standard high-back air-suspension seat and optional deluxe heated and leather-bolstered lower cushion adjust multiple ways for daylong comfort and support. Arm- and footrests also adjust.

Quiet and comfortable

Oil-filled cab mounts and extensive insulation effectively isolate operators from vibration and noise. At around 75 dBA, the cab is comfortably quiet.

Everything in its place

In-cab storage is ample and accessible. If you're running a grade-control system, the lockable in-dash compartment is ideal for end-of-day storage — or permanent placement — of the monitor.

At your fingertips

Sealed-switch module gives fingertip control of keyless start and access to exclusive features such as turbo cool-down timer, auto shutdown, and Eco mode. When enabled, touchpad security system requires a numeric pass code to help prevent unauthorized machine operation.

Up to speed

Use the decelerator to slow both ground speed and engine rpm. Or ground speed only to help maintain traction without affecting engine power and hydraulic response. Fully depressing the pedal applies the brakes.

TMC

Exclusive Total Machine Control (TMC) monitor lets an operator select decelerator mode and response, forward/reverse ground-speed ranges, steering modulation, F-N-R shift rate, and forward/reverse speed ratios.

Take command

Low-effort controls command the blade and full-featured hydrostatic drivetrain, for reliable response in a wide variety of jobsite conditions.

Low-effort control

Ergonomically correct joystick provides intuitive, low-effort control of steering, direction, and ground speed. It's detented so it doesn't require an operator's constant touch or attention, and employs a thumb-actuated travel-speed control switch.



75-dBA

COMFORTABLY
QUIET CAB





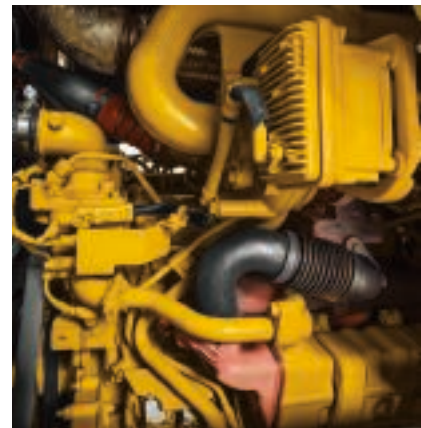
PROVEN PERFORMERS

NOTHING RUNS LIKE A DEERE.

Designed and built with state-of-the-art tools and techniques by a quality-conscious workforce at our facility in Dubuque, Iowa, the K-Series comes loaded with uptime-boosting features. Enhancements such as our unique V-cool system, ground-level air cleaner, and exclusive turbo cool-down timer — plus proven John Deere features such as one-piece unitized mainframes, DuraTrax™ undercarriages, wet-sleeve engine liners, and isolated planetary final drives — give our dozers the durability you need. When you know how they're built, you'll run these Deere.



**STANDARD
REVERSING FAN**
(OPTIONAL ON 700K)



Cool and collected

V-cool design isolates coolers from dust and engine heat for increased efficiency and durability. Positioned behind the heavy-duty grille and fan, coolers are also less vulnerable.

John Deere diesels

EPA Final Tier 4 (FT4)/EU Stage IV engines meet emission regulations without sacrificing power or torque. Built on our Interim Tier 4 (IT4)/Stage IIIB solution to deliver performance, efficiency, and reliability, this technology is simple, fluid efficient, fully integrated, and fully supported. It employs field-proven cooled exhaust gas recirculation (EGR), easy-to-maintain high-uptime exhaust filters, and selective catalytic reduction (SCR).

Cooling fan

Variable-speed on-demand fan automatically speeds up or slows down, operating only as needed to keep things cool. Reversing fan (optional on the 700K) automatically backblows the cooler cores at preset intervals. For more frequent cleaning, simply press a button to actuate the reversing cycle.

Undercarriage options

The 750K and 850K come with a durable Standard Life undercarriage. Maximum Life undercarriage, with stronger seals and larger components, is standard on the 700K. Choose optional Extended Life undercarriage with SC-2™ bushings that deliver up to twice the wear life for any of the three models.

Designed for the long haul

Closed-cell blade design and robot-welded, fabricated, box-section C-frame are strong and durable. Heavy-duty ball-and-socket joint resists material buildup, for long-term grading precision.

Sturdy construction

One-piece welded mainframe resists torsional stress, absorbs shock loads, and maximizes strength while allowing easy service access to major components. Heavy-duty double-reduction planetary final drives are mounted independent of the track frames, where they're effectively protected from shock loads.

CONFIGURED, NOT COMPROMISED

CHOICES, CHOICES...

Yours isn't just any business. Why settle for just any dozer? With multiple undercarriage configurations, application-specific blade choices, and other numerous available options, building a John Deere dozer your way is the way we do business. These highly versatile machines can also be equipped with special- and severe-duty packages that help them thrive on a wide variety of jobsites to tackle tasks that many other dozers can't.

Heavy-duty haulers

Protection packages and waste-handler configurations equip these dozers to survive, even thrive, in tough environments.

Throw some light on it

High-intensity halogen driving lights are standard. If you want to extend your workday beyond daylight, opt for the 360-deg. light package.

Rear-mount attachments

With their hydrostatic drivetrains and impressive drawbar pull, our dozers work well with rear-mount attachments such as rippers and cable plows.

MODEL	DOZER BLADE	GROUSER WIDTH
700K <i>XLT</i>	Power-Angle-Tilt (PAT)	560 mm (22 in.)
700K <i>LGP</i>	PAT	760 mm (30 in.)
750K <i>XLT</i>	PAT	560 mm (22 in.)
750K <i>LGP</i>	PAT	865 mm (34 in.)
750K	Outside Dozer (OSD)	560 mm (22 in.)
850K <i>XLT</i>	PAT	610 mm (24 in.)
850K <i>WLT</i>	PAT	760 mm (30 in.)
850K <i>LGP</i>	PAT	910 mm (36 in.)
850K	OSD	610 mm (24 in.)
850K <i>WT</i>	OSD	760 mm (30 in.)
850K <i>LGP</i>	OSD	910 mm (36 in.)



**DUAL-PATH
HYDROSTATIC
TRANSMISSION**



***HAVE IT
YOUR WAY.***

DESIGNED WITH AN OPEN MIND

OPEN THE DOOR TO MORE.

Wide-open access

Operator station on the 750K and 850K tilts a full 70 deg. in only minutes, for wide-open drivetrain component access. Heavy-duty recessed belly guards bring the engine oil pan within easy reach. Hinged side shields swing wide to reveal dipsticks; fill tubes; batteries; master electrical shutoff; and engine, transmission, and hydraulic filters.

Simple fluid maintenance

Fluid-sample and diagnostic test ports simplify preventative maintenance and troubleshooting. 500-hour engine oil and 2,000-hour transmission and hydraulic fluid intervals decrease downtime and expense.

Taking it easy

Remote lube banks provide easy access to difficult-to-reach crossbar and C-frame pivots. Convenient color-coded lube chart helps confirm that nothing gets overlooked.



Keep downtime down with

JOHN DEERE ULTIMATE UPTIME

John Deere Ultimate Uptime, featuring John Deere WorkSight™, is a customizable support solution available exclusively from your Deere dealer. This flexible offering maximizes equipment availability with standard John Deere WorkSight capabilities that can help prevent future downtime and speed repairs when needed. In addition to the base John Deere WorkSight features, our dealers work with you to build an uptime package that meets the specific needs of your machine, fleet, project, and business, including customized maintenance and repair agreements, onsite parts availability, extended warranties, fluid sampling, response-time guarantees, and more.

Get valuable insight with

JOHN DEERE WORKSIGHT

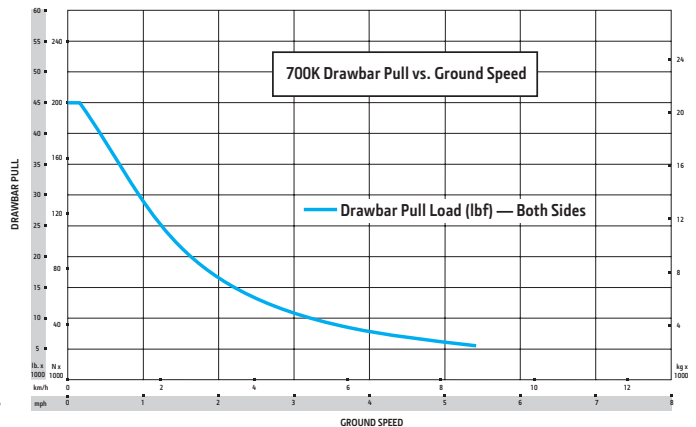
John Deere WorkSight is an exclusive suite of telematics solutions that increases uptime while lowering operating costs. At its heart, JDLink™ machine monitoring provides real-time utilization data and alerts to help you maximize productivity and efficiency while minimizing downtime. Remote diagnostics enable your dealer to read codes and record performance data without a trip to the jobsite.





700K SPECIFICATIONS

Engine	700K XLT / 700K LGP
Blade Type	Power-Angle-Tilt (PAT)
Manufacturer and Model	John Deere PowerTech™ PVS 6068
Non-Road Emission Standard	EPA Final Tier 4/EU Stage IV
Displacement	6.8L (414 cu. in.)
SAE Net Rated Power	97 kW (130 hp) at 1,800 rpm
Net Peak Torque	559 Nm (412 ft.-lb.) at 1,500 rpm
Aspiration	Turbocharged with charge-air cooler
Air Cleaner	Dual-stage dry tube with tangential unloader
Cooling	
Type	Variable-speed suction fan with optional reversing feature
Engine Coolant Rating	-37 deg. C. (-34 deg. F)
Engine Radiator	10 fins per in.
Powertrain	
Transmission	Automatic, dual-path, hydrostatic (HST) drive; load-sensing feature automatically adjusts speed and power to match changing load conditions; each individually controlled track is powered by a variable-displacement piston pump and motor combination; ground-speed selection buttons on single-lever steering and direction control; independently selectable reverse speed ratios of 100%, 115%, or 130% of forward ground speed; decelerator pedal controls ground speed to stop
System Relief Pressure	47 573 kPa (6,900 psi)
Travel Speeds	
Forward and Reverse	8.9 km/h (5.5 mph)
Maximum (optional)	9.7 km/h (6.0 mph)
Steering	Single-lever steering, direction control, and counter-rotation; full power turns and infinitely variable track speeds provide unlimited maneuverability and optimum control; HST steering eliminates steering clutches and brakes
Final Drives	Triple-reduction final drives mounted independently of track frames and dozer push frames for isolation from shock loads
Total Ratio	33.59 to 1
Drawbar Pull	
Maximum	200 kN (45,000 lb.)
At 1.9 km/h (1.2 mph)	119 kN (26,800 lb.)
At 3.2 km/h (2.0 mph)	77 kN (17,200 lb.)
Brakes	
Service	HST (dynamic) braking stops the machine whenever the direction-control lever is moved to neutral or the decelerator is depressed to the detent
Parking	Exclusive spring-applied, hydraulically released park-brake safety feature engages wet, multiple-disc brakes automatically whenever the engine stops, the operator depresses the decelerator pedal to the brake position, the unit is in neutral for 3 seconds (with detected motion), or the park-lock lever is in the park position; machine cannot be driven with brake applied, minimizing wearout or need for adjustment
Hydraulics	
Type	Open-center hydraulic system with fixed-displacement gear pump
Pump Displacement	44 cc
System Relief Pressure	22 063 kPa (3,200 psi)
Maximum Flow at Unloaded High Idle	95 L/m (25 gpm)
Control	3-function direct-acting T-bar joystick with push-button angle function
Electrical	
Voltage	24 volts
Capacity	
Battery	950 CCA
Reserve	190 min.



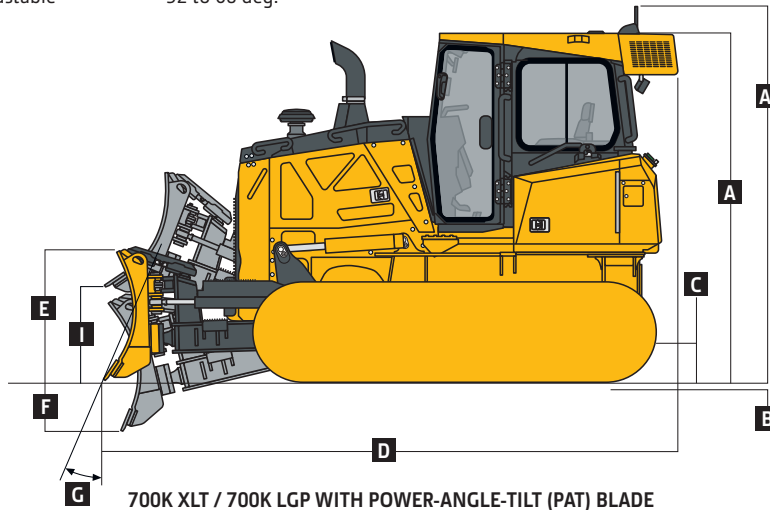
700K SPECIFICATIONS



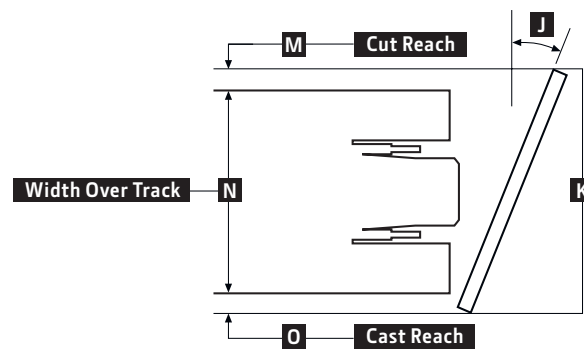
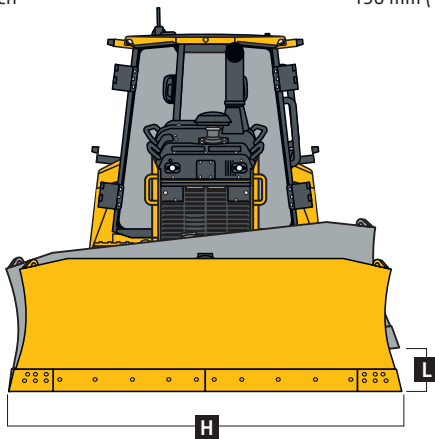
Electrical <i>(continued)</i>	700K XLT / 700K LGP	
Blade Type	PAT	
Alternator Rating		
Cab	130 amp	
Canopy	100 amp	
Lights	Grille mounted (2), rear mounted (2), and rear reflectors (2)	
Undercarriage	700K XLT	700K LGP
Blade Type	PAT	PAT
Tracks	John Deere DuraTrax™ features large deep-heat-treated components; pins and bushings are sealed for life; rollers and idlers are permanently sealed and lubricated; sprockets are segmented; full-length track-frame covers reduce material buildup and ease cleaning	
Track Gauge	1778 mm (70 in.)	1981 mm (78 in.)
Grouser Width	560 mm (22 in.)	760 mm (30 in.)
Chain	Sealed and lubricated	Sealed and lubricated
Shoes, Each Side	39	39
Track Rollers, Each Side	7	7
Track Length on Ground	2590 mm (102 in.)	2590 mm (102 in.)
Ground Contact Area	29 946 cm ² (4,487 sq. in.)	39 472 cm ² (6,118 sq. in.)
Ground Pressure	46.4 kPa (6.74 psi)	35.2 kPa (5.11 psi)
Track Pitch	191 mm (7.5 in.)	191 mm (7.5 in.)
Oscillation at Front Roller	±94 mm (±3.7 in.)	±94 mm (±3.7 in.)
Operator Station	700K XLT / 700K LGP	
ROPS (ISO 3471 – 2008) and FOPS (ISO 3449 – 2005)		
Serviceability		
Refill Capacities		
Fuel Tank with Lockable Cap	301 L (79.5 gal.)	
Diesel Exhaust Fluid (DEF) Tank	11.8 L (3.1 gal.)	
Cooling System with Recovery Tank	35.06 L (9.3 gal.)	
Engine Oil with Filter	24.6 L (6.5 gal.)	
Reservoir with Filter		
Transmission	68.9 L (18.2 gal.)	
Hydraulic	53.8 L (14.2 gal.)	
Operating Weights	700K XLT	700K LGP
Blade Type	PAT	PAT
<i>Base Weight (with standard equipment, rollover protective structures [ROPS], full fuel tank, and 79-kg [175 lb.] operator)</i>	13 733 kg (30,275 lb.)	14 193 kg (31,290 lb.)
Optional Components		
Cab with Pressurizer and Heater/Air Conditioner	288 kg (635 lb.)	288 kg (635 lb.)
ROPS Canopy		
Heater	39 kg (85 lb.)	39 kg (85 lb.)
Front and Door Screens	54 kg (120 lb.)	54 kg (120 lb.)
Rear Screen	20 kg (45 lb.)	20 kg (45 lb.)
Side Screens	54 kg (120 lb.)	54 kg (120 lb.)
Cab with Air Conditioner		
Front and Door Screens	68 kg (151 lb.)	68 kg (151 lb.)
Rear Screen	41 kg (91 lb.)	41 kg (91 lb.)
Side Screens	68 kg (151 lb.)	68 kg (151 lb.)
Limb Risers (ROPS canopy and cab)	155 kg (341 lb.)	155 kg (341 lb.)
Front Counterweight	172 kg (380 lb.)	172 kg (380 lb.)
Retrieval Hitch	31 kg (68 lb.)	31 kg (68 lb.)
Drawbar, Extended Rigid	88 kg (195 lb.)	88 kg (195 lb.)
Winch	652 kg (1,437 lb.)	652 kg (1,437 lb.)
Fairlead, 4 Roller	85 kg (187 lb.)	85 kg (187 lb.)
Full-Length Rock Guards	130 kg (287 lb.)	130 kg (287 lb.)
Maximum Life Undercarriage	373 kg (822 lb.)	373 kg (822 lb.)
Track Shoes		
560 mm (22 in.)	In base	-493 kg (-1,086 lb.)
610 mm (24 in.)	—	-371 kg (-818 lb.)
760 mm (30 in.)	—	In base
Swamp Shoes, 760 mm (30 in.)	—	-14 kg (-31 lb.)

700K

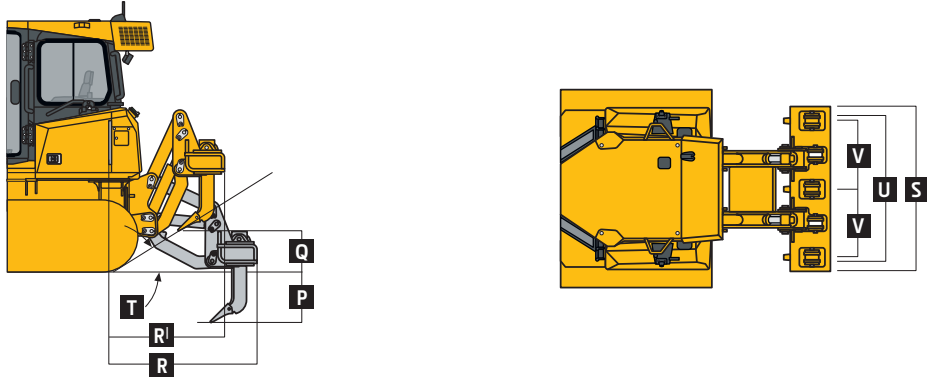
Machine Dimensions	700K XLT / 700K LGP
Blade Type	PAT
A Overall Height to Roof	2936 mm (9 ft. 8 in.)
A' Overall Height with Receivers/Antennae	3325 mm (10 ft. 11 in.)
B Tread Depth with Single-Bar Grouser	56 mm (2.2 in.)
C Ground Clearance in Dirt	393 mm (15.5 in.)
D Overall Length	4815 mm (189 in.) (15 ft. 9 in.)
Overall Length with Extended Drawbar	5033 mm (198 in.) (16 ft. 6 in.)
Overall Length with Winch and Fairlead Rollers	5395 mm (212 in.) (17 ft. 8 in.)
E Blade Lift Height	991 mm (39 in.) (3 ft. 3 in.)
F Blade Digging Depth	533 mm (21 in.)
G Blade Cutting-Edge Angle, Adjustable	52 to 60 deg.



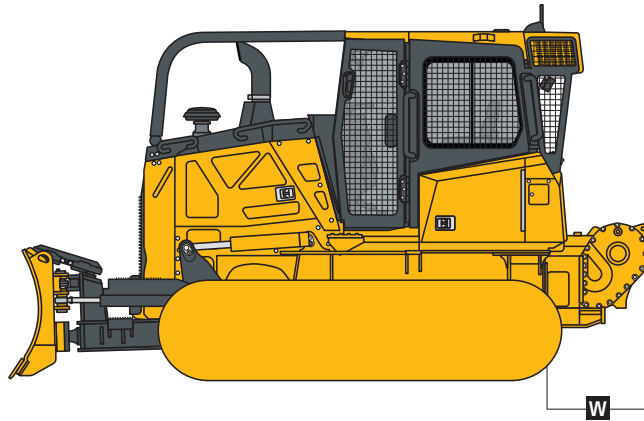
Machine Dimensions (continued)	700K XLT	700K LGP
Blade Type	PAT	PAT
Straight		
H Blade Width	3200 mm (126 in.) (10 ft. 6 in.)	3658 mm (144 in.) (12 ft. 0 in.)
I Blade Height	991 mm (39 in.) (3 ft. 3 in.)	991 mm (39 in.) (3 ft. 3 in.)
SAE Capacity	2.7 m ³ (3.6 cu. yd.)	3.2 m ³ (4.1 cu. yd.)
Weight	804 kg (1,771 lb.)	901 kg (1,986 lb.)
C-Frame Assembly Weight (without blade)	663 kg (1,461 lb.)	663 kg (1,461 lb.)
J Blade Angle	25 deg.	25 deg.
K Overall Width with Blade Angled	2907 mm (114.5 in.) (9 ft. 6.5 in.)	3324 mm (130.9 in.) (10 ft. 10.9 in.)
L Blade Tilt (uses tilt jack)	445 mm (17.5 in.)	482 mm (19 in.)
M Cut Reach	94 mm (3.7 in.)	113 mm (4.5 in.)
N Width Over Track	2337 mm (92 in.) (7 ft. 8 in.)	2743 mm (108 in.) (9 ft. 0 in.)
O Cast Reach	450 mm (17.7 in.)	468 mm (18.4 in.)



Rear Ripper		700K XLT / 700K LGP
Blade Type		PAT
Multi-shank parallelogram ripper with 5 pockets and 3 shanks		
Weight		1444 kg (3,183 lb.)
P	Maximum Penetration	563 mm (22 in.)
Q	Maximum Clearance Under Tip	584 mm (23 in.)
R	Overall Length, Lowered Position	1494 mm (59 in.) (4 ft. 11 in.)
R ^l	Overall Length, Raised Position	1210 mm (48 in.) (4 ft. 0 in.)
S	Overall Beam Width	1930 mm (76 in.) (6 ft. 4 in.)
T	Slope Angle (full raise)	26 deg.
U	Ripping Width	1673 mm (66 in.) (5 ft. 6 in.)
V	Distance Between Shanks	806 mm (32 in.)



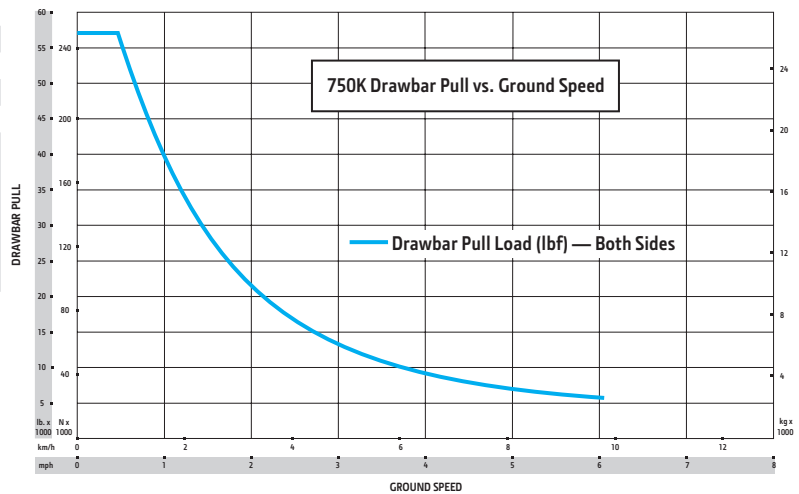
4000S Winch		700K XLT / 700K LGP
Blade Type		PAT
W	Winch Length	798 mm (31 in.)





750K SPECIFICATIONS

Engine	750K XLT / 750K LGP	750K
Blade Type	Power/Angle/Tilt (PAT)	Outside Dozer Blade (OSD)
Manufacturer and Model	John Deere PowerTech™ PVS 6068	John Deere PowerTech PVS 6068
Non-Road Emission Standard	EPA Final Tier 4/EU Stage IV	EPA Final Tier 4/EU Stage IV
Displacement	6.8L (414 cu. in.)	6.8L (414 cu. in.)
SAE Net Rated Power	123 kW (165 hp) at 1,800 rpm	123 kW (165 hp) at 1,800 rpm
Net Peak Torque	768 Nm (567 lb.-ft.) at 1,400 rpm	768 Nm (567 lb.-ft.) at 1,400 rpm
Aspiration	Turbocharged with charge air cooler	Turbocharged with charge air cooler
Air Cleaner	Vacuum-aspirated dual-element dry canister	Vacuum-aspirated dual-element dry canister
Cooling	750K XLT / 750K LGP / 750K	
Type	Variable-speed suction fan with automatic reversing	
Engine Coolant Rating	-37 deg. C (-34 deg. F)	
Engine Radiator	10 fins per in.	
Powertrain	750K XLT	
Transmission	Automatic, dual-path, hydrostatic (HST) drive; load-sensing feature automatically adjusts speed and power to match changing load conditions; each individually controlled track is powered by a variable-displacement piston pump and motor combination; ground-speed selection buttons on single-lever steering and direction control; independently selectable reverse speed ratios of 100%, 115%, or 130% of forward ground speed; decelerator pedal controls ground speed to stop	
System Relief Pressure	45 850 kPa (6,650 psi)	
Travel Speeds		
Forward and Reverse	9.7 km/h (6.0 mph)	
Maximum (optional)	11.0 km/h (6.8 mph)	
Steering	Single-lever steering, speed, direction control, and counter-rotation; full power turns and infinitely variable track speeds provide unlimited maneuverability and optimum control; HST steering eliminates steering clutches and brakes	
Final Drives	Double-reduction, planetary final drives mounted independently of track frames and dozer push frames for isolation from shock loads	
Total Ratio	46.41 to 1	
Drawbar Pull		
Maximum	254 kN (57,000 lb.)	
At 1.9 km/h (1.2 mph)	156 kN (35,000 lb.)	
At 3.2 km/h (2.0 mph)	98 kN (22,000 lb.)	
Brakes		
Service	HST (dynamic) braking stops the machine whenever the direction-control lever is moved to neutral or the decelerator is depressed to the detent	
Parking	Exclusive spring-applied, hydraulically released park-brake safety feature engages wet, multiple-disc brakes automatically whenever the engine stops, the operator depresses the decelerator pedal to the brake position, the unit is in neutral for 3 seconds (with detected motion), or the park-lock lever is in the park position; machine cannot be driven with brake applied, minimizing wearout or need for adjustment	



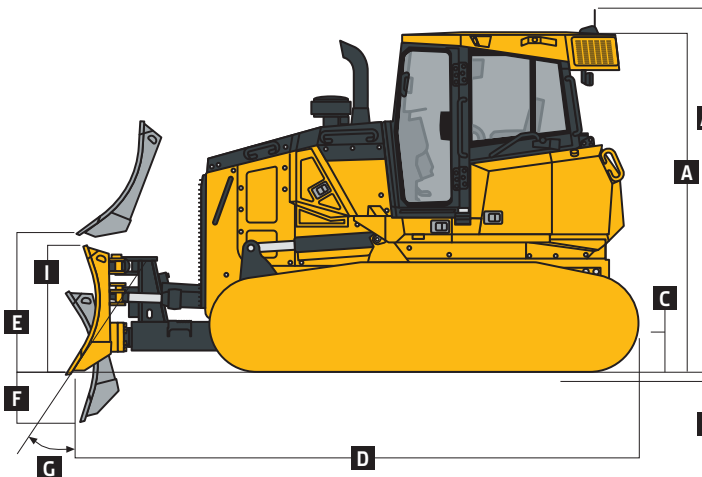
750K SPECIFICATIONS



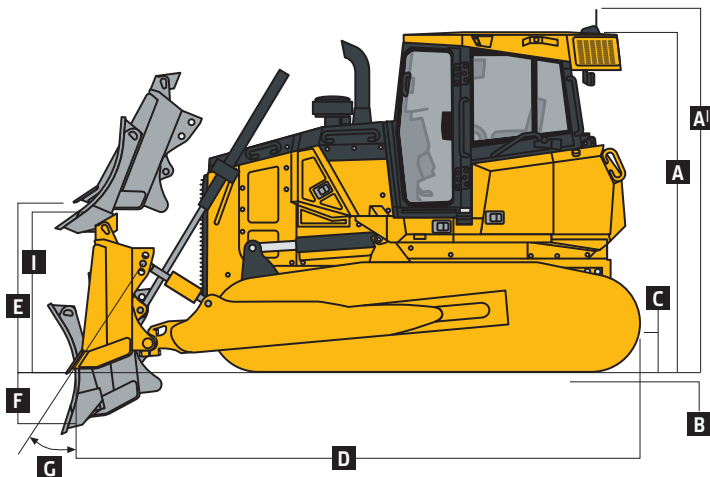
Hydraulics		750K XLT / 750K LGP	750K	
Blade Type	PAT		OSD	
Type	Load sense hydraulic system with variable-displacement piston pump		Load sense hydraulic system with variable-displacement piston pump	
Pump Displacement	63 cc		63 cc	
System Relief Pressure	24 993 kPa (3,625 psi)		24 993 kPa (3,625 psi)	
Differential Pressure	1896 kPa (275 psi)		1896 kPa (275 psi)	
Maximum Flow at Unloaded High Idle	138 L/m (36 gpm)		138 L/m (36 gpm)	
Control	3-function hydraulic-pilot T-bar joystick with push-button angle function		2-function hydraulic-pilot T-bar joystick	
Electrical		750K XLT / 750K LGP / 750K		
Voltage	24 volts			
Capacity				
Battery	950 CCA			
Reserve	190 min.			
Alternator Rating				
Cab	130 amp			
Canopy	100 amp			
Lights	Grille mounted (2), rear mounted (2), engine compartment (1), and rear reflectors (2)			
Undercarriage		750K XLT	750K LGP	750K
Blade Type	PAT		PAT	OSD
Tracks	John Deere Dura-Trax™ features large deep-heat-treated, sealed, and lubricated track links and through-hardened, sealed, and lubricated rollers for maximum wear resistance; sprockets are segmented; extreme-duty shoes are available (on some models) for severe applications			
Track Gauge	1880 mm (74 in.)	2134 mm (84 in.)		1880 mm (74 in.)
Grouser Width	560 mm (22 in.)	865 mm (34 in.)		560 mm (22 in.)
Chain	Sealed and lubricated	Sealed and lubricated		Sealed and lubricated
Shoes, Each Side	45	45		40
Track Rollers, Each Side	8	8		7
Track Length on Ground	3073 mm (121 in.)	3073 mm (121 in.)		2591 mm (102 in.)
Ground Contact Area	34 344 cm ² (5,323 sq. in.)	53 077 cm ² (8,227 sq. in.)		28 957 cm ² (4,488 sq. in.)
Ground Pressure	44.5 kPa (6.46 psi)	31.5 kPa (4.57 psi)		52.9 kPa (7.67 psi)
Track Pitch	191 mm (7.5 in.)	191 mm (7.5 in.)		191 mm (7.5 in.)
Oscillation at Front Roller	±135 mm (±5.3 in.)	±127 mm (±5.0 in.)		±110 mm (±4.3 in.)
Operator Station		750K XLT / 750K LGP / 750K		
ROPS (ISO 3471 – 2008) and FOPS (ISO 3449 – 2005)				
Serviceability				
Refill Capacities				
Fuel Tank with Lockable Cap	368 L (97.5 gal.)			
Cooling System with Recovery Tank	40.75 L (10.8 gal.)			
Engine Oil with Filter	24.6 L (6.5 gal.)			
Reservoir with Filter				
Transmission	115 L (30 gal.)			
Hydraulic	112 L (29.7 gal.)			
Diesel Exhaust Fluid (DEF) Reservoir	13.6 L (3.6 gal.)			
Operating Weights		750K XLT	750K LGP	750K
Blade Type	PAT		PAT	OSD
<i>Base Weight (with standard equipment, rollover protective structures [ROPS], full fuel tank, and 79-kg [175 lb.] operator)</i>	15 661 kg (34,527 lb.)	17 121 kg (37,745 lb.)		15 679 kg (34,566 lb.)

750K

Operating Weights <i>(continued)</i>	750K XLT	750K LGP	750K
Blade Type	PAT	PAT	OSD
Optional Components			
Cab with Pressurizer and Heater/Air Conditioner	337 kg (743 lb.)	337 kg (743 lb.)	337 kg (743 lb.)
ROPS Canopy			
Heater	39 kg (85 lb.)	39 kg (85 lb.)	39 kg (85 lb.)
Front and Door Screens	84 kg (186 lb.)	84 kg (186 lb.)	84 kg (186 lb.)
Rear Screen	23 kg (50 lb.)	23 kg (50 lb.)	23 kg (50 lb.)
Side Screens	44 kg (98 lb.)	44 kg (98 lb.)	44 kg (98 lb.)
Cab with Air Conditioner			
Front and Door Screens	79 kg (175 lb.)	79 kg (175 lb.)	79 kg (175 lb.)
Rear Screen	34 kg (75 lb.)	34 kg (75 lb.)	34 kg (75 lb.)
Side Screens	54 kg (120 lb.)	54 kg (120 lb.)	54 kg (120 lb.)
Condenser Guard (cab with air conditioner)	55 kg (121 lb.)	55 kg (121 lb.)	55 kg (121 lb.)
Limb Risers (ROPS canopy and cab)	261 kg (575 lb.)	261 kg (575 lb.)	261 kg (575 lb.)
Heavy-Duty Grille	28 kg (62 lb.)	28 kg (62 lb.)	28 kg (62 lb.)
Lift-Cylinder Hose Guards	42 kg (93 lb.)	42 kg (93 lb.)	77 kg (170 lb.)
Tank Guards	323 kg (712 lb.)	323 kg (712 lb.)	323 kg (712 lb.)
Rear Counterweight	326 kg (720 lb.)	326 kg (720 lb.)	326 kg (720 lb.)
Retrieval Hitch	37 kg (81 lb.)	37 kg (81 lb.)	37 kg (81 lb.)
Drawbar, Extended Rigid	130 kg (286 lb.)	130 kg (286 lb.)	130 kg (286 lb.)
Blade Brush Guard	87 kg (192 lb.)	87 kg (192 lb.)	87 kg (192 lb.)
Center Chain Guides	61 kg (135 lb.)	61 kg (135 lb.)	61 kg (135 lb.)
Full-Length Rock Guards	154 kg (340 lb.)	154 kg (340 lb.)	174 kg (384 lb.)
Track Shoes			
560-mm (22 in.) Moderate Duty	In base	—	In base
560-mm (22 in.) Extreme Duty	134 kg (296 lb.)	—	119 kg (263 lb.)
610-mm (24 in.) Moderate Duty	140 kg (309 lb.)	—	125 kg (275 lb.)
610-mm (24 in.) Extreme Duty	289 kg (637 lb.)	—	257 kg (566 lb.)
710-mm (28 in.) Moderate Duty	—	-418 kg (-922 lb.)	—
865-mm (34 in.) Moderate Duty	—	In base	—
Machine Dimensions			
Blade Type	PAT	PAT	OSD
A Overall Height to Roof	3128 mm (10 ft. 3 in.)	3128 mm (10 ft. 3 in.)	3128 mm (10 ft. 3 in.)
A¹ Overall Height with Receivers/Antennae	3517 mm (11 ft. 6 in.)	3517 mm (11 ft. 6 in.)	3517 mm (11 ft. 6 in.)
B Tread Depth with Single-Bar Grouser			
Moderate Duty	56 mm (2.2 in.)	56 mm (2.2 in.)	56 mm (2.2 in.)
Extreme Duty	69 mm (2.7 in.)	69 mm (2.7 in.)	69 mm (2.7 in.)
C Ground Clearance in Dirt	356 mm (14 in.)	356 mm (14 in.)	356 mm (14 in.)
D Overall Length	4921 mm (197 in.) (16 ft. 5 in.)	5246 mm (207 in.) (17 ft. 3 in.)	4937 mm (194 in.) (16 ft. 2 in.)
Length with Extended Drawbar	5210 mm (205 in.) (17 ft. 1 in.)	5535 mm (218 in.) (18 ft. 2 in.)	5226 mm (206 in.) (17 ft. 2 in.)
E Blade Lift Height	1025 mm (40.3 in.) (3 ft. 4.3 in.)	1025 mm (40.3 in.) (3 ft. 4.3 in.)	1050 mm (41.3 in.) (3 ft. 5.3 in.)
F Blade Digging Depth	650 mm (25.6 in.)	650 mm (25.6 in.)	575 mm (22.6 in.)
G Blade Cutting-Edge Angle, Adjustable	55.2 to 60.1 deg.	55.2 to 60.1 deg.	50.5 to 60.0 deg.

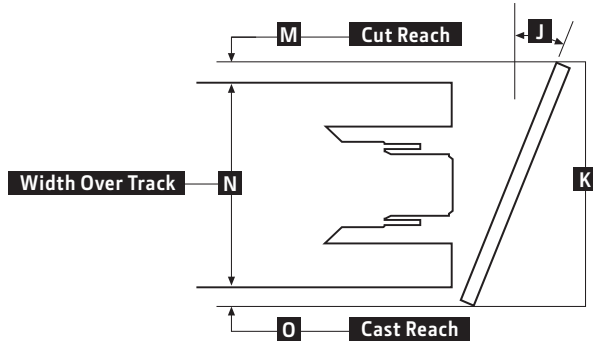
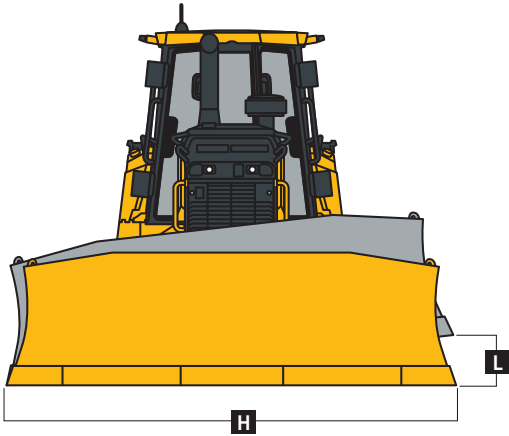


750K XLT / 750K LGP WITH POWER-ANGLE-TILT (PAT) BLADE



750K WITH OUTSIDE DOZER (OSD) BLADE

Machine Dimensions (continued)	750K XLT	750K LGP	750K
Blade Type	PAT	PAT	OSD
Semi-U			
H Blade Width	—	—	3251 mm (128 in.) (10 ft. 8 in.)
I Blade Height	—	—	1240 mm (48.8 in.) (4 ft. 0.8 in.)
SAE Capacity	—	—	4.3 m ³ (5.6 cu. yd.)
Weight	—	—	1163 kg (2,564 lb.)
Push-Beam Assembly Weight (without blade)	—	—	1470 kg (3,242 lb.)
L Blade Tilt	—	—	711 mm (28 in.)
N Width Over Track	—	—	2438 mm (96 in.) (8 ft. 0 in.)
Straight			
H Blade Width	3296 mm (130 in.) (10 ft. 10 in.)	3962 mm (156 in.) (13 ft. 0 in.)	—
I Blade Height	1194 mm (47 in.) (3 ft. 11 in.)	1170 mm (46.1 in.) (3 ft. 10.1 in.)	—
SAE Capacity	2.2 m ³ (4.2 cu. yd.)	3.8 m ³ (5.0 cu. yd.)	—
Weight	937 kg (2,066 lb.)	1081 kg (2,383 lb.)	—
C-Frame Assembly Weight (without blade)	1318 kg (2,905 lb.)	1318 kg (2,905 lb.)	—
J Blade Angle	23.5 deg.	23.5 deg.	—
K Overall Width with Blade Angled	3020 mm (118.9 in.) (9 ft. 10.9 in.)	3631 mm (142.9 in.) (11 ft. 10.9 in.)	—
L Blade Tilt (uses tilt jack)	437 mm (17.2 in.)	524 mm (20.6 in.)	—
M Cut Reach	108 mm (4.3 in.)	84 mm (3.3 in.)	—
N Width Over Track	2438 mm (96 in.) (8 ft. 0 in.)	2997 mm (118 in.) (9 ft. 10 in.)	—
O Cast Reach	224 mm (8.8 in.)	297 mm (11.7 in.)	—

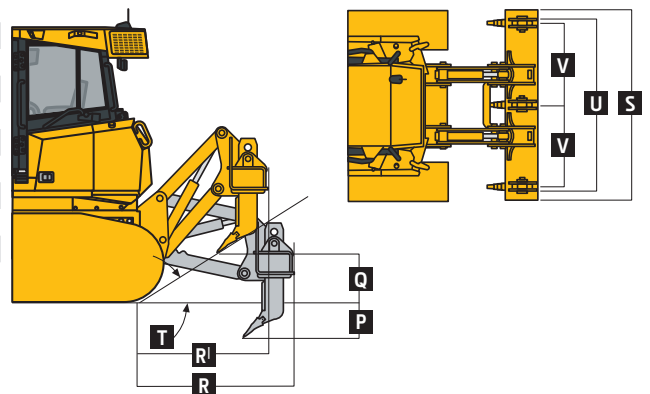


Rear Ripper

750K XLT / 750K LGP / 750K

Multi-shank (3) parallelogram ripper with hydraulic pitch adjustment and ESCO® ripper tips

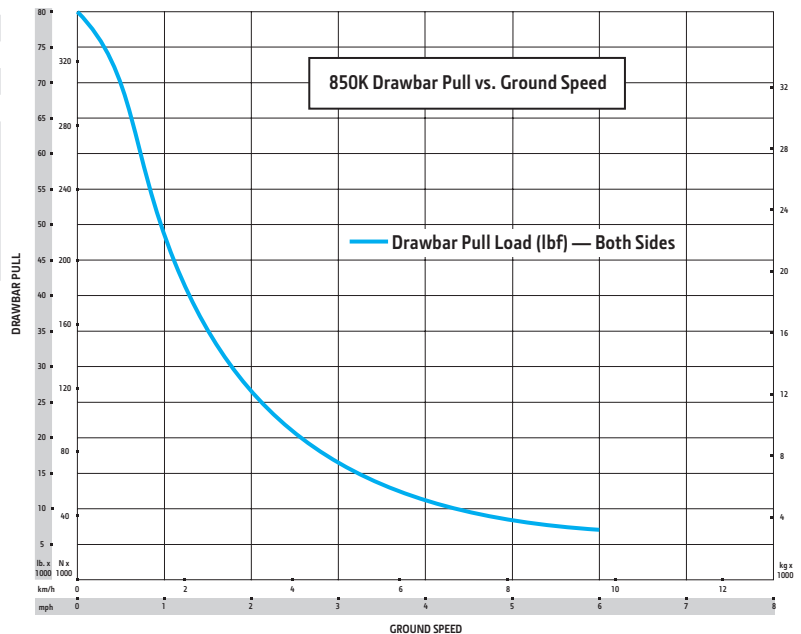
Weight	1690 kg (3,725 lb.)
P Maximum Penetration	686 mm (27 in.)
Q Maximum Clearance Under Tip	686 mm (27 in.)
R Overall Length, Lowered Position	1689 mm (67 in.) (5 ft. 7 in.)
R^l Overall Length, Raised Position	1448 mm (57 in.) (4 ft. 9 in.)
S Overall Beam Width	2134 mm (84 in.) (7 ft. 0 in.)
T Slope Angle (full raise)	22 deg.
U Ripping Width	1880 mm (74 in.) (6 ft. 2 in.)
V Distance Between Shanks	902 mm (36 in.) (3 ft. 0 in.)





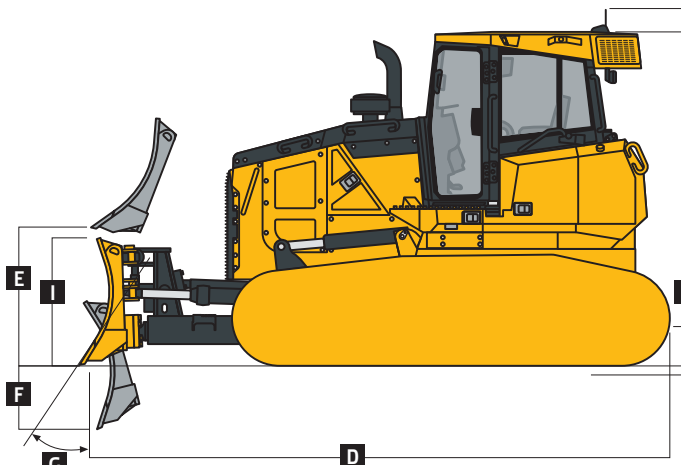
850K SPECIFICATIONS

Engine	850K XLT / 850K WLT / 850K LGP	850K / 850K WT / 850K LGP
Blade Type	Power-Angle-Tilt (PAT)	Outside Dozer (OSD)
Manufacturer and Model	John Deere PowerTech™ PSS 6068	John Deere PowerTech PSS 6068
Non-Road Emission Standard	EPA Final Tier 4/EU Stage IV	EPA Final Tier 4/EU Stage IV
Displacement	6.8L (414 cu. in.)	6.8L (414 cu. in.)
SAE Net Rated Power	152 kW (205 hp) at 1,800 rpm	152 kW (205 hp) at 1,800 rpm
Net Peak Torque	915 Nm (675 ft.-lb.) at 1,500 rpm	915 Nm (675 ft.-lb.) at 1,500 rpm
Aspiration	Turbocharged with charge-air cooler	Turbocharged with charge-air cooler
Air Cleaner	Vacuum-aspirated dual-element dry canister	Vacuum-aspirated dual-element dry canister
Cooling	850K XLT / 850K WLT / 850K LGP / 850K / 850K WT	
Type	Variable-speed suction fan with automatic reversing	
Engine Coolant Rating	-37 deg. C. (-34 deg. F)	
Engine Radiator	10 fins per in.	
Powertrain		
Transmission	Automatic, dual-path, hydrostatic (HST) drive; load-sensing feature automatically adjusts speed and power to match changing load conditions; each individually controlled track is powered by a variable-displacement piston pump and motor combination; ground-speed selection buttons on single-lever steering and direction control; independently selectable reverse speed ratios of 100%, 115%, or 130% of forward ground speed; decelerator pedal controls ground speed to stop	
System Relief Pressure	45 850 kPa (6,650 psi)	
Travel Speeds		
Forward and Reverse	9.7 km/h (6.0 mph)	
Maximum (optional)	11.0 km/h (6.8 mph)	
Steering	Single-lever steering, speed, direction control, and counter-rotation; full power turns and infinitely variable track speeds provide unlimited maneuverability and optimum control; HST steering eliminates steering clutches and brakes	
Final Drives	Double-reduction, planetary final drives mounted independently of track frames and dozer push frames for isolation from shock loads	
Total Ratio	44.75 to 1	
Drawbar Pull		
Maximum	356 kN (80,000 lb.)	
At 1.9 km/h (1.2 mph)	178 kN (40,000 lb.)	
At 3.2 km/h (2.0 mph)	131 kN (29,500 lb.)	
Brakes		
Service	HST (dynamic) braking stops machine whenever the direction/steering-control lever is moved to neutral or the decelerator is depressed to the end of travel	
Parking	Exclusive spring-applied, hydraulically released park-brake safety feature engages wet, multiple-disc brakes automatically whenever the engine stops, the operator depresses the decelerator pedal to the brake position, the unit is in neutral for 3 seconds (with detected motion), or the park-lock lever is in the park position; machine cannot be driven with brake applied, minimizing wearout or need for adjustment	
Hydraulics	850K XLT / 850K WLT / 850K LGP	850K / 850K WT / 850K LGP
Blade Type	PAT	OSD
Type	Load-sense hydraulic system with variable-displacement piston pump	
Pump Displacement	74 cc	
System Relief Pressure	24 993 kPa (3,625 psi)	
Differential Pressure	1896 kPa (275 psi)	

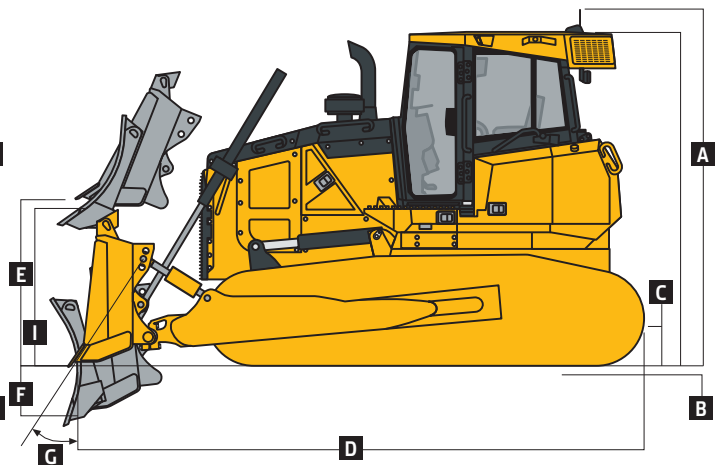


850K

Operating Weights <i>(continued)</i>	850K XLT	850K WLT	850K LGP	850K	850K WT	850K LGP
Blade Type	PAT	PAT	PAT	OSD	OSD	OSD
Optional Components <i>(continued)</i>						
Heavy-Duty Grille	35 kg (78 lb.)	35 kg (78 lb.)	35 kg (78 lb.)	35 kg (78 lb.)	35 kg (78 lb.)	35 kg (78 lb.)
Lift-Cylinder Hose Guards	42 kg (93 lb.)	42 kg (93 lb.)	42 kg (93 lb.)	80 kg (176 lb.)	80 kg (176 lb.)	80 kg (176 lb.)
Tank Guards	323 kg (712 lb.)	323 kg (712 lb.)	323 kg (712 lb.)	323 kg (712 lb.)	323 kg (712 lb.)	323 kg (712 lb.)
Counterweight						
Front	397 kg (875 lb.)	397 kg (875 lb.)	397 kg (875 lb.)	397 kg (875 lb.)	397 kg (875 lb.)	397 kg (875 lb.)
Rear	449 kg (990 lb.)	449 kg (990 lb.)	449 kg (990 lb.)	449 kg (990 lb.)	449 kg (990 lb.)	449 kg (990 lb.)
Retrieval Hitch	52 kg (114 lb.)	52 kg (114 lb.)	52 kg (114 lb.)	52 kg (114 lb.)	52 kg (114 lb.)	52 kg (114 lb.)
Drawbar, Extended Rigid	130 kg (286 lb.)	130 kg (286 lb.)	130 kg (286 lb.)	130 kg (286 lb.)	130 kg (286 lb.)	130 kg (286 lb.)
Blade Brush Guard	87 kg (192 lb.)	87 kg (192 lb.)	87 kg (192 lb.)	87 kg (192 lb.)	87 kg (192 lb.)	87 kg (192 lb.)
Center Chain Guides	85 kg (188 lb.)	85 kg (188 lb.)	85 kg (188 lb.)	85 kg (188 lb.)	85 kg (188 lb.)	85 kg (188 lb.)
Full-Length Rock Guards	242 kg (534 lb.)	242 kg (534 lb.)	242 kg (534 lb.)	222 kg (490 lb.)	222 kg (490 lb.)	242 kg (534 lb.)
Final-Drive Trash Guards	70 kg (155 lb.)	70 kg (155 lb.)	70 kg (155 lb.)	70 kg (155 lb.)	70 kg (155 lb.)	70 kg (155 lb.)
Striker Bars						
Front	—	73 kg (160 lb.)	73 kg (160 lb.)	—	111 kg (245 lb.)	147 kg (325 lb.)
Rear	—	78 kg (171 lb.)	78 kg (171 lb.)	—	166 kg (366 lb.)	78 kg (171 lb.)
Pre-Cleaner						
Powered Cab Air	21 kg (47 lb.)	21 kg (47 lb.)	21 kg (47 lb.)	21 kg (47 lb.)	21 kg (47 lb.)	21 kg (47 lb.)
Rotary Ejector Engine Air	6 kg (13 lb.)	6 kg (13 lb.)	6 kg (13 lb.)	6 kg (13 lb.)	6 kg (13 lb.)	6 kg (13 lb.)
Track Shoes						
560-mm (22 in.) Extreme Duty	175 kg (385 lb.)	—	—	155 kg (342 lb.)	-213 kg (-470 lb.)	—
610-mm (24 in.) Moderate Duty	In base	—	-850 kg (-1,873 lb.)	In base	-368 kg (-812 lb.)	-847 kg (-1,868 lb.)
610-mm (24 in.) Extreme Duty	346 kg (762 lb.)	—	-504 kg (-1,111 lb.)	307 kg (677 lb.)	-61 kg (-135 lb.)	-502 kg (-1,108 lb.)
760-mm (30 in.) Moderate Duty	—	In base	-435 kg (-959 lb.)	—	In base	—
760-mm (30 in.) Extreme Duty	—	444 kg (979 lb.)	9 kg (19 lb.)	—	395 kg (870 lb.)	—
910-mm (36 in.) Moderate Duty	—	—	In base	—	—	In base
910-mm (36 in.) Extreme Duty	—	—	524 kg (1,155 lb.)	—	—	523 kg (1,153 lb.)
Machine Dimensions						
A Overall Height to Roof	3211 mm (10 ft. 6.5 in.)	—	3211 mm (10 ft. 6.5 in.)	—	3211 mm (10 ft. 6.5 in.)	—
A ¹ Overall Height to Receivers/Antennae	3600 mm (11 ft. 10 in.)	—	3600 mm (11 ft. 10 in.)	—	3600 mm (11 ft. 10 in.)	—
B Tread Depth with Single-Bar Grouser						
Moderate Duty	66 mm (2.6 in.)	66 mm (2.6 in.)	66 mm (2.6 in.)	66 mm (2.6 in.)	66 mm (2.6 in.)	66 mm (2.6 in.)
Extreme Duty	71 mm (2.8 in.)	71 mm (2.8 in.)	71 mm (2.8 in.)	71 mm (2.8 in.)	71 mm (2.8 in.)	71 mm (2.8 in.)
C Ground Clearance in Dirt						
D Overall Length	5740 mm (226 in.)	5740 mm (226 in.)	5740 mm (226 in.)	5384 mm (212 in.)	5384 mm (212 in.)	5940 mm (234 in.)
Length with Extended Drawbar	5937 mm (234 in.)	5937 mm (234 in.)	5937 mm (234 in.)	5569 mm (219 in.)	5569 mm (219 in.)	6137 mm (242 in.)
E Blade Lift Height	1072 mm (42 in.)	1072 mm (42 in.)	1072 mm (42 in.)	1151 mm (45 in.)	1151 mm (45 in.)	1151 mm (45 in.)
F Blade Digging Depth	704 mm (28 in.)	704 mm (28 in.)	704 mm (28 in.)	599 mm (24 in.)	599 mm (24 in.)	599 mm (24 in.)
G Blade Cutting-Edge Angle, Adjustable	55.1 to 60.2 deg.	55.1 to 60.2 deg.	55.1 to 60.2 deg.	51.5 to 61.0 deg.	51.5 to 61.0 deg.	51.5 to 61.0 deg.

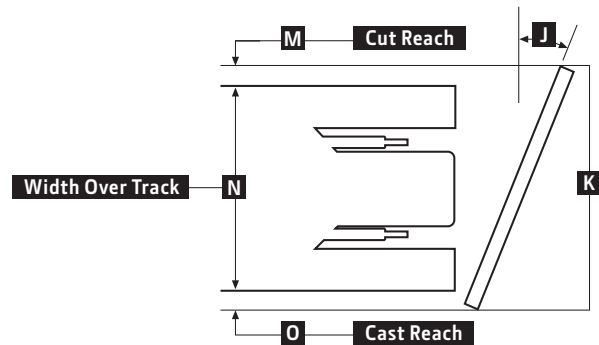
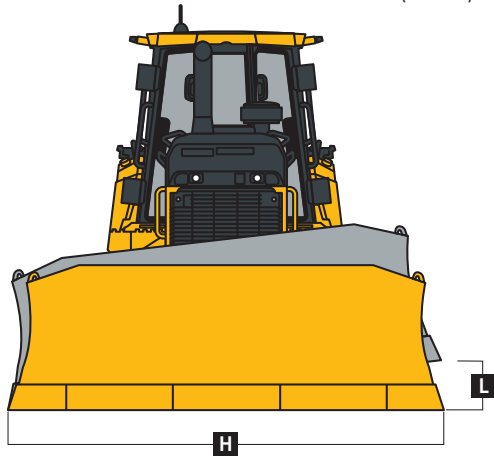


850K XLT / 850K WLT / 850K LGP WITH POWER-ANGLE-TILT (PAT) BLADE



850K / 850K WT / 850K LGP WITH OUTSIDE DOZER (OSD) BLADE

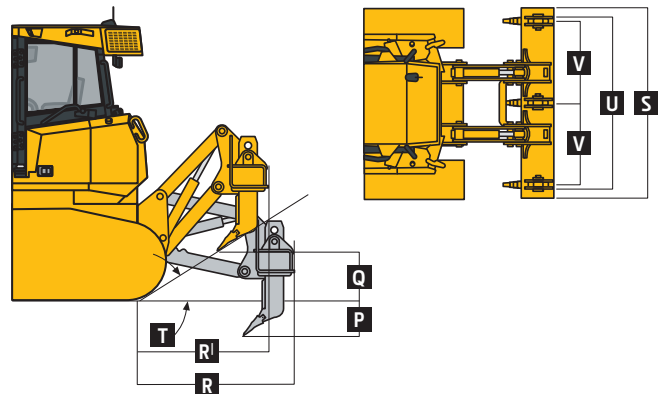
Machine Dimensions <i>(continued)</i>	850K XLT	850K WLT	850K LGP	850K	850K WT	850K LGP
Blade Type	<i>PAT</i>	<i>PAT</i>	<i>PAT</i>	<i>OSD</i>	<i>OSD</i>	<i>OSD</i>
H Blade Width	—	—	—	Semi-U		
I Blade Height	—	—	—	3251 mm (128 in.) (10 ft. 8 in.)	3556 mm (140 in.) (11 ft. 8 in.)	3861 mm (152 in.) (12 ft. 8 in.)
SAE Capacity	—	—	—	1422 mm (56 in.) (4 ft. 8 in.)	1374 mm (54 in.) (4 ft. 6 in.)	1321 mm (52 in.) (4 ft. 4 in.)
Weight	—	—	—	5.6 m ³ (7.3 cu. yd.)	5.8 m ³ (7.6 cu. yd.)	6.0 m ³ (7.8 cu. yd.)
Push-Beam Assembly Weight (without blade)	—	—	—	1643 kg (3,286 lb.)	1567 kg (3,455 lb.)	1641 kg (3,612 lb.)
L Blade Tilt	—	—	—	1820 kg (4,004 lb.)	1889 kg (4,156 lb.)	2101 kg (4,622 lb.)
N Width Over Track	—	—	—	753 mm (30 in.)	753 mm (30 in.)	853 mm (34 in.)
	PAT			Straight		
H Blade Width	3708 mm (146 in.) (12 ft. 2 in.)	4013 mm (158 in.) (13 ft. 2 in.)	4267 mm (168 in.) (14 ft. 0 in.)	—	—	3912 mm (154 in.) (12 ft. 10 in.)
I Blade Height	1229 mm (48 in.) (4 ft. 0 in.)	1229 mm (48 in.) (4 ft. 0 in.)	1229 mm (48 in.) (4 ft. 0 in.)	—	—	1258 mm (49.5 in.) (4 ft. 1.5 in.)
SAE Capacity	3.9 m ³ (5.2 cu. yd.)	4.3 m ³ (5.6 cu. yd.)	4.5 m ³ (5.9 cu. yd.)	—	—	4.1 m ³ (5.4 cu. yd.)
Weight	1251 kg (2,758 lb.)	1330 kg (2,932 lb.)	1397 kg (3,080 lb.)	—	—	1561 kg (3,441 lb.)
C-Frame Assembly Weight (without blade)	1647 kg (3,631 lb.)	1647 kg (3,631 lb.)	1647 kg (3,631 lb.)	—	—	2101 kg (4,622 lb.)
J Blade Angle	23.8 deg.	23.8 deg.	23.8 deg.	—	—	—
K Overall Width with Blade Angled	3391 mm (134 in.) (11 ft. 2 in.)	3658 mm (144 in.) (12 ft. 0 in.)	3901 mm (154 in.) (12 ft. 10 in.)	—	—	—
L Blade Tilt (uses tilt jack)	508 mm (20 in.)	533 mm (21 in.)	572 mm (23 in.)	—	—	—
M Cut Reach	158 mm (6.2 in.)	145 mm (5.7 in.)	109 mm (4.3 in.)	—	—	—
N Width Over Track	2693 mm (106 in.) (8 ft. 10 in.)	2997 mm (118 in.) (9 ft. 10 in.)	3302 mm (130 in.) (10 ft. 10 in.)	—	—	—
O Cast Reach	284 mm (11.2 in.)	272 mm (10.7 in.)	234 mm (9.2 in.)	—	—	—



Rear Ripper

850K XLT / 850K WLT / 850K LGP / 850K / 850K WT

Multi-shank (3) parallelogram ripper with hydraulic pitch adjustment and ESCO® ripper tips	
Weight	2032 kg (4,480 lb.)
P Maximum Penetration	724 mm (28.5 in.)
Q Maximum Clearance Under Tip	610 mm (24 in.)
R Overall Length, Lowered Position	1626 mm (64 in.) (5 ft. 4 in.)
R^l Overall Length, Raised Position	1525 mm (60 in.) (5 ft. 0 in.)
S Overall Beam Width	2400 mm (94 in.) (7 ft. 10 in.)
T Slope Angle (full raise)	24 deg.
U Ripping Width	2146 mm (85 in.) (7 ft. 1 in.)
V Distance Between Shanks	1041 mm (41 in.) (3 ft. 5 in.)



Additional equipment

Key: ● Standard ▲ Optional or special

See your John Deere dealer for further information.

700K	750K	850K	Engine
●	●	●	Meets EPA Final Tier 4/EU Stage IV emissions
●	●	●	Wet-sleeve cylinder liners
●	●	●	Eco mode
●	●	●	Exhaust stack, black
▲	▲	▲	Exhaust stack, chrome
●	●	●	Turbocharged and air-to-air aftercooled
●	●	●	Dual-element dry-canister air cleaner
●	●	●	Engine glow-plug starting system
●	●	●	Programmable auto engine shutdown
●	●	●	Automatic turbo cool-down timer
●	●	●	Exhaust filter, under hood, with vertical stack
●	●	●	Fuel filters with automatic electronic priming
▲	▲	▲	Severe-duty fuel filter
▲	▲	▲	Engine block heater
▲	▲	▲	Engine coolant heater, fuel fired
●	●	●	100-amp alternator (canopy)
●	●	●	130-amp alternator (cab)
Cooling			
●	●	●	Tilt-out cooling fan, hydraulically driven, variable-speed suction type
●	●	●	Engine cooling rated -37 deg. C (-34 deg. F)
▲	●	●	Automatic, programmable reversing fan
●	●	●	Engine radiator, hydrostatic (HST) cooler, and hydraulic cooler, 10 fins per in.
●	●	●	Enclosed safety fan guard (conforms to SAE J1308 and ISO 3457)
●	●	●	V-cool cooler design
Powertrain			
●	●	●	Dual-path HST transmission
●	●	●	Selectable reverse-speed ratios
●	●	●	Operator-selectable decelerator function (hydrostats and engine or hydrostats only)
●	●	●	Single-lever steering with counter-rotate function
●	●	●	Full power turns with infinitely variable track speed
●	●	●	HST (dynamic) service brakes
●	●	●	Wet, multi-disc parking brake
●	●	●	Remote diagnostic test ports
●	●	●	Automatic cold-weather transmission warmup system
●	●	●	Automatic transmission derating for exceeded system temperatures
●	●	●	Sealed dedicated transmission reservoir and filtration system separate from hydraulic system
Hydraulic System			
●	●	●	Load-sense electrohydraulic (EH) system with variable-displacement piston pump
●	●	●	2-function hydraulics
●	▲	▲	3-function hydraulics
▲	▲	▲	3-function hydraulics with rear plumbing
▲	▲	▲	4-function hydraulics with rear plumbing
▲	▲	▲	Grade-control-ready EH hydraulics

700K	750K	850K	Hydraulic System (continued)
●	●	●	Hydrau™ All-Season Hydraulic Oil, -25 deg. C to 50 deg. C (-13 deg. F to 122 deg. F)
▲	▲	▲	Hydrau™ XR Hydraulic Oil, -40 deg. C to 40 deg. C (-40 deg. F to 104 deg. F)
	▲	▲	Power pitch for outside dozer
●	●	●	Hydraulic pump, standard
	▲	▲	Hydraulic pump, high flow
▲	▲	▲	Hydraulic pump for direct-drive winch
●	●	●	Sealed dedicated hydraulic reservoir and filtration system separate from transmission system
Undercarriage			
●	●	●	Full-length, smooth-surface track frame covers
●	●	●	Double-flange rollers
●	●	●	Oscillating undercarriage
▲	●	●	Heavy-duty sealed and lubricated undercarriage
▲	●	●	Standard Life undercarriage system
●			Maximum Life undercarriage system
▲	▲	▲	Extended Life undercarriage with SC-2™ bushings
▲	▲	▲	Full-length rock guards
Operator's Station			
▲	▲	▲	Canopy cab
▲	▲	▲	Enclosed cab with air/heat
▲	▲	▲	Air-suspension vinyl seat (canopy)
▲	▲	▲	Air-suspension cloth seat (enclosed cab)
▲	▲	▲	Air-suspension heated deluxe seat (enclosed cab)
●	●	●	Under-seat heater (cab)
▲	▲	▲	Under-seat heater (canopy)
●	●	●	AM/FM/Weather-Band (WB) radio, clock, and MP3 player front plug-in (cab)
●	●	●	Multifunction/multi-language LCD monitor: Analog display (fuel level, coolant temperature, and engine oil pressure) / Digital display (engine rpm, charge pressure, hours, diesel particulate filter [DPF] soot level, and transmission direction/speed range)
	▲	▲	HVAC-powered precleaner
	▲	▲	178-mm (7 in.) color, multi-language Primary Display Unit (PDU) (with EH hydraulics only)
●	●	●	Backup alarm
●	●	●	12-volt accessory plug (1)
▲	▲	▲	12-volt accessory plug (2)
●	●	●	Keyless start with multiple security codes
▲*	▲	▲	External-mounted rear-attachment mirror
▲	▲	▲	Rear wiper and washer (cab)
Overall Vehicle			
●	●	●	Tilt operator station service access
●	●	●	Environmental drain package
▲	▲	▲	Fluid-sample valves
●	●	●	JDLink™ wireless machine communication system (available in specific countries; see your local dealer for details)

700K	750K	850K	Overall Vehicle (continued)	
▲	▲	▲	Quick service ports (HST, hydraulic, and engine oil, and coolant)	
	▲	▲	Fast-fuel system	
●	●	●	Lights, grille mounted (2), rear mounted (2)	
▲	▲	▲	Additional lights (2)	
▲	●	●	Engine-compartment light	
▲	▲	▲	Beacon light	
▲	▲	▲	Topcon grade-control system	
▲	▲	▲	Topcon-, Trimble-, or Leica-ready interface package	
▲	▲	▲	Operator-protection package	
▲	▲	▲	Forestry-protection package	
●	●	●	Lockable master electrical disconnect switch	
Attachments				
	▲	▲	Cab mounts and isolators for forestry package	
	▲	▲	Large debris prescreen	
	▲	▲	Recessed sprockets	
	▲	▲	Final-drive trash guards (trash applications)	
▲	▲	▲	Rear ripper, parallelogram	
▲			Counterweight, front, 172 kg (380 lb.)	
	▲	▲	Rear counterweight (1 or 2)	
●	●	●	Tilt-out front grille	
▲	▲	▲	Retrieval hitch with pin	
	▲	▲	Retrieval hitch with 1 or 2 counterweights	
▲	▲	▲	Extended rigid drawbar	
▲			Winch, John Deere 4000S, power in/free spool out OR power out	
▲			4-roller fairlead for winch	
▲			Root-rake blade attachment	
XLT LGP 700K Shoes				
●	▲		560-mm (22 in.) moderate service	
	▲		610-mm (24 in.) moderate service	
	●		760-mm (30 in.) moderate service	
STD XLT LGP 750K Shoes				
●	●	▲	560-mm (22 in.) moderate service	
▲	▲	▲	560-mm (22 in.) extreme service	
▲	▲	▲	610-mm (24 in.) moderate service	
▲	▲	▲	610-mm (24 in.) extreme service	
		▲	710-mm (28 in.) moderate service	
		●	865-mm (34 in.) moderate service with clipped corners	
STD WT XLT WLT LGP 850K Shoes				
▲	▲	▲	▲	560-mm (22 in.) extreme service
●	▲	●	▲	610-mm (24 in.) moderate service
▲	▲	▲	▲	610-mm (24 in.) extreme service
	●	●	▲	760-mm (30 in.) moderate service with clipped corners
	▲	▲	▲	760-mm (30 in.) extreme service with clipped corners
		●	▲	910-mm (36 in.) moderate service with clipped corners
		▲	▲	910-mm (36 in.) extreme service with clipped corners

*Cab only.



Net engine power is with standard equipment including air cleaner, exhaust system, alternator, and cooling fan at test conditions specified per ISO9249. No derating is required up to 3050-m (10,000 ft.) altitude. Also available: winches, fair-leads, log arches, skidding grapples, trash packages, landfill protection packages, cable plows, side booms, field-installed cab for canopy, canopy heater, and fire-suppression systems. Specifications and design subject to change without notice. Wherever applicable, specifications are in accordance with SAE standards. Except where otherwise noted, these specifications are based on units with ROPS, full fuel tanks, and 79-kg (175 lb.) operators. Operator station ROPS and FOPS certified.

JohnDeere.com